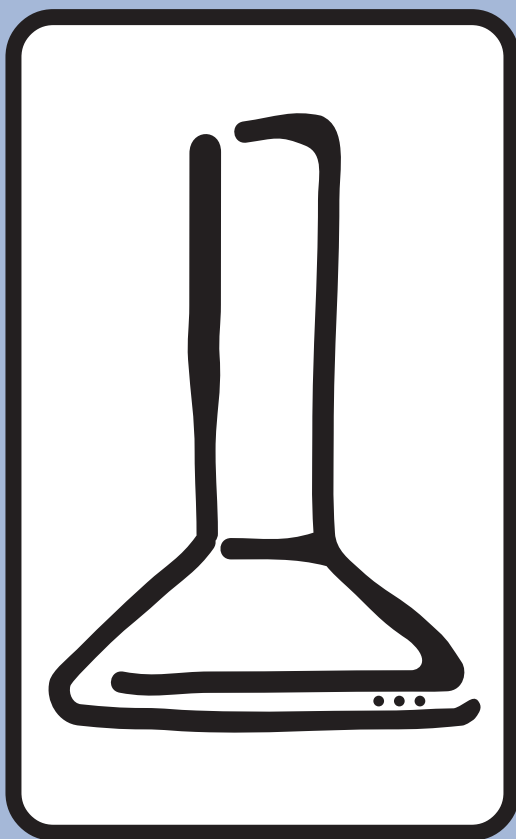


INSTRUCTION BOOK



FOR ELECTROLUX
COOKER HOOD
EFC 635 and EFC 935

 **Electrolux**

UK

Thank you for buying an Electrolux product.

To enable you to use your application effectively and safely, please read this instruction book carefully before using the appliance and retain for future reference. If you require guidance in the use of the appliance or require further information on Electrolux Products, please contact our Customer Care Department.

Customer Care Department
Electrolux
55 - 77 High Street
Slough
Berkshire
SL1 1DZ

Tel: 08705 950 950

To register ownership, please ensure you complete and return the guarantee card supplied with the appliance.

For the User

Important Safety Information

Your Appliance

Operating Instructions

Cooker Hood Controls

To Operate

Recirculation

Extraction

Maintenance and Cleaning

External Cleaning

Metal Grease Filters

Charcoal Filters

To Remove/Replace the Charcoal Filters

Changing the Light Bulb

Something Not Working

Service and Spare Parts

Guarantee Conditions

For the Installer

Technical Information

Electrical Connection

Electrical Requirements

Electrical Connection

Installing the Cooker Hood

Installation Requirements

Unpacking

Clearance Heights

Fitting the Wall Brackets

Fitting the Canopy Hood

Venting

Recirculation

Fitting the Chimney Stack

Service Force Centres

Guide to use the instruction book

The following Symbols will be found in the text to guide you through the instruction book



Safety instructions



Step by step instructions

IMPORTANT SAFETY INFORMATION

These warnings are provided in the interests of safety. Ensure that you understand them all before installing or using this appliance. Your safety is of paramount importance. If you are unsure about any of the meanings of these warnings contact the Customer Care Department.

• **Installation**

- Any installation work must be undertaken by a qualified electrician or a competent person.
- This hood must be installed in accordance with the installation instructions and all measurements must be adhered to.
- If the cooker hood is installed for use above a gas appliance then the provision for ventilation must be in accordance with the Gas Safety Codes of Practice BS.6172, BS.5440 and BS.6891 (Natural Gas) and BS.5482 (LP Gas) 1994, the Gas Safety (Installation & Use) Regulations, the Building Regulations issued by the Department of the Environment, the Building Standards (Scotland) (Consolidated) Regulations issued by the Scottish Development Department.
- The fan motor of this cooker hood incorporates a cut-out device which will operate if the cooker hood is installed below the minimum height recommended under the section 'Clearance Height', or if the motor becomes overheated. If the cut-out device is activated, switch off the fan motor and allow the cooker hood to cool. The cut-out device will reset itself when the fan motor has cooled significantly.
- It is dangerous to alter the specifications or modify this product in any way.
- When installed between adjoining wall cabinets the wall cabinets must not overhang the hob.
- If the room where the cooker hood is to be used contains a fuel burning appliance such as a central heating boiler then its flue must be of the room sealed or balanced flue type.
- If other types of flue or appliances are fitted ensure that there is an adequate supply of air to the room.

- The ducting system for this appliance must not be connected to any existing ventilation system which is being used for any other purpose.

- Do not install above a cooker with a high-level grill.

• **Child Safety**

- This appliance is designed to be operated by adults. Children should not be allowed to tamper with the appliance.

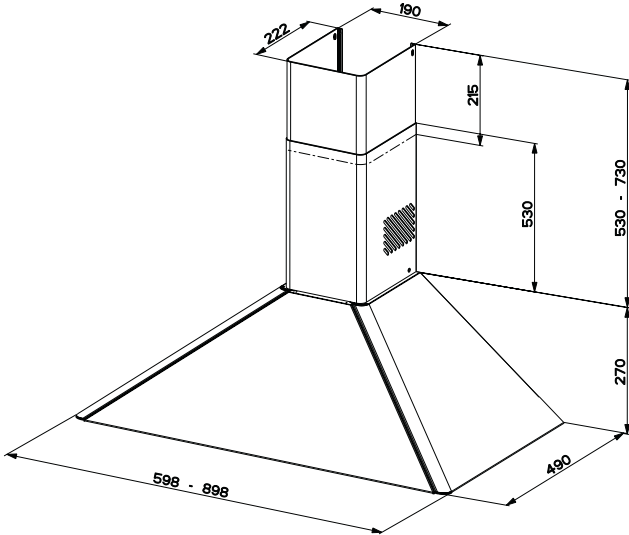
• **During Use**

- This product is for domestic use only.
- Never leave frying pans unattended during use as overheated fats and oils might catch fire.
- Never do flambé cooking under this cooker hood.
- Do not leave naked flames under the cooker hood.

• **Maintenance and Service**

- This appliance can be a hazard if the grease filters and charcoal filters are not cleaned and replaced as recommended.
- Under no circumstances should you attempt to repair the appliance yourself. Repairs carried out by inexperienced persons may cause injury or more serious malfunction. Refer to your local Electrolux Service Force Centre. Always insist on genuine spare parts.

YOUR APPLIANCE



OPERATING INSTRUCTIONS

This cooker hood is designed to extract unpleasant odours from the kitchen, it will not extract steam.

Cooker Hood Controls

The cooker hood functions are controlled by three switches located to the right on the underside of the hood immediately in front of the metal grease filters.

Worktop Lighting

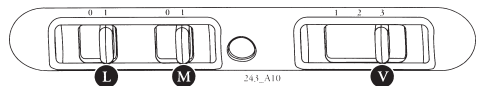
The switch (L) marked with the lamp symbol operates the worktop lighting.

- L** 0 - OFF
 1 - ON

Fan Control

The switch (M) marked with the fan symbol and the switch (V) marked 1-2-3 operates the fan.

- M** 0 - OFF
 1 - ON
- V** 1 - Low
 2 - Normal
 3 - Boost



To Operate

Select the required fan speed and light if required.

The appliance can be installed to recirculate or extract contaminated air. The cooker hood is more effective when used in the extraction mode.

Recirculation

The cooker hood is supplied specified for use in the recirculation mode with the charcoal filter fitted.

In the recirculation mode the contaminated air is passed through the charcoal filters to be purified and recirculated into the kitchen through the recirculation grilles in either side of the chimney stack.

Extraction

In the extraction mode the contaminated air enters the cooker hood passing through the grease filters and is passed out through the ducting into the atmosphere.

To obtain the best performance when cooking it is advisable to switch the cooker hood on for a few minutes before you start cooking and leave it running for about 15 minutes after finishing.



When used in the ducting mode the charcoal filters are not required.

Never do flambé cooking under this cooker hood.

Never leave frying pans unattended during use as overheated fats and oils can catch fire.

Do not leave naked flames under the cooker hood.

Ensure heating areas on your hob are covered with pots and pans when using the hob and cooker hood simultaneously.

MAINTENANCE AND CLEANING



Before carrying out any maintenance or cleaning isolate the cooker hood from the mains supply.

The cooker hood must be kept clean, as a build up of grease or fat can be a fire hazard.

External Cleaning

Wipe the cooker hood frequently with warm soapy water using a mild detergent.



Never use scouring pads or abrasive cleaners.

Never use excessive amounts of water when cleaning particularly around the control panel.

Metal Grease Filters

The grease filters absorb grease and dust during cooking to help keep the cooker hood clean inside, and should be cleaned approximately once every month or more often if the hood is used for more than 3 hours a day.



Remove/Replace the metal grease filters:

1. Press against the metal catch to release the spring catch as illustrated in Fig. 1.
2. Drop the front edge of the cassette down as illustrated opposite and lift the back edge out of the rear guide.
3. To refit insert the back edge of the cassette into the rear guide and push up the front edge until the spring catch engages.

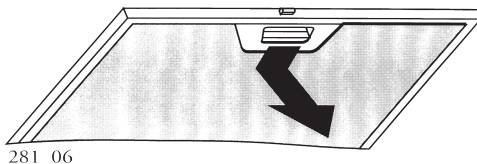


Fig.1

The metal grease filters should be washed, by hand, in mild soapy water or in a dishwasher. Allow to dry completely before replacing.

Charcoal Filters

In the recirculation mode the charcoal filters absorb smells and unwanted odours.

The charcoal filters cannot be cleaned, we recommend they should be replaced approximately every three months or more often if the hood is used for more than three hours per day.

To Remove/Replace the Charcoal Filters

1. First remove the metal grease filters as illustrated in Figure 1.
2. Rotate the charcoal filter anticlockwise (B) and remove illustrated in Fig. 2.
3. To replace the charcoal filters, place the filter over the inlet grille at either end of the fan housing and rotate clockwise (A) into position as illustrated in Fig. 2.



This appliance can be a possible fire hazard if the grease and charcoal filters are not cleaned and replaced as recommended.



Changing the Light Bulb

First remove the metal grease filters.

2. The light bulbs can be reached from inside the canopy.
3. Rotate the light bulb anticlockwise to unscrew.
4. To replace the light bulb insert a replacement into the holder then rotate the bulb clockwise into position. Ensure you take care not to overtighten the bulb.

If the light bulb fails to function check that the bulb is fully screwed into the holder. If bulb failure has occurred then it should be replaced with a 220-240 Volt 40W clear globe shaped bulb with a small E14 screw thread.

Replacement filters and light bulbs can be obtained from your local Service Force Centre.

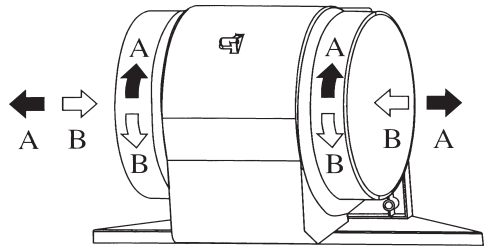
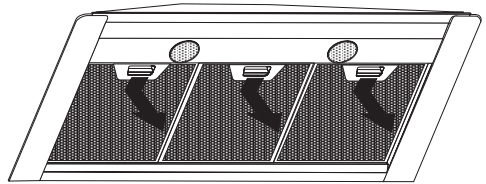


Fig.2



SOMETHING NOT WORKING

If, having followed these instructions carefully, your cooker hood fails to work properly please carry out the following checks.

Symptom	Solution
The cooker hood will not start	<ul style="list-style-type: none"> • Check the hood is connected to the electricity supply. • Make sure the switch is in the 'ON' position.
The cooker hood is not working effectively	<ul style="list-style-type: none"> • The fan speed is set high enough for the task • The grease filter is clean. • The kitchen is adequately vented to allow the entry of fresh air. • If set up for recirculation, check that the charcoal filter is still effective. • If set up for extraction, check that the ducting and outlets are not blocked.
The cooker hood has switched off during operation	<ul style="list-style-type: none"> • The safety cut-out device has been tripped. • Turn off the hob and then wait for the device to reset.

If after all these checks, the fault persists, contact your local Service Force Centre, quoting the model and serial number.

Please note that it will be necessary to provide proof of purchase for any in-guarantee service calls.

In-guarantee customers should ensure that the above checks have been made as the engineer will make a charge if the fault is not a mechanical or electrical breakdown.

SERVICE AND SPARE PARTS

If you require an engineer or spare parts contact your local Service Force Centre by telephoning:

08705 929929

Your telephone call will be routed to your local Service Force Centre. The addresses are listed in the back of the book.

For general assistance with your appliance or for further information on Electrolux products please contact our Customer Care Department.

Customer Care Department,
Electrolux
55 - 77 High Street
Slough
Berkshire
SL1 1DZ

Tel: 08705 950 950*

* calls to this number may be recorded for training purposes.

GUARANTEE CONDITIONS

We, Electrolux, undertake that if within twelve months of the date of the purchase this Electrolux built-in product or any part thereof is proved to be defective by reason only of faulty workmanship or materials, the company will, at our option repair or replace the same FREE OF ANY CHARGE for labour, materials or carriage on condition that:

- The appliance has been correctly installed and used only on the electrical supply stated on the rating plate.
- The appliance has been used for normal domestic purposes only, and in accordance with the manufacturer's operating and maintenance instructions.
- The appliance has not been serviced, maintained, repaired, taken apart or tampered with by any person not authorised by us.
- All service work under this guarantee must be undertaken by an Electrolux Service Force Centre.
- Any appliance or defective part replaced shall become the property of this company.

Home visits are made between **8.30am and 5.30pm Monday to Friday**. Visits may be available outside these hours in which case a premium will be charged.

EXCLUSIONS

This Guarantee does not cover:

- Damage or calls resulting from transportation, improper use or neglect, the replacement of any light bulbs or removable parts of glass or plastic.
- Costs incurred for calls to put right appliances improperly installed or calls to appliances outside the United Kingdom.
- Appliances found to be in use within a commercial environment, plus those which are the subject of rental agreements.
- Products of Electrolux manufacture which are not marked by Electrolux.

This guarantee is in addition to your statutory and legal rights.

ELECTROLUX EUROPEAN GUARANTEE

If you should move to another country within Europe then your guarantee moves with you to your new home subject to the following qualifications:

- The guarantee starts from the date you first purchased the product.
- The guarantee is for the same period and to the same extent for labour and parts as exists in the new country of use for this brand or range of products.
- This guarantee relates to you and cannot be transferred to another user.
- Your new home is within the European Community (EC) or European Free Trade Area.
- The product is installed and used in accordance with our instructions and is only used domestically, i.e. a normal household.

Before you move please contact your nearest Customer Care Centre, listed below, to give them details of your new home. They will then ensure that the local Service Organisation is aware of your move and able to look after you and your appliances.

France	Senlis	++33 (0)3 44 62 22 22
Germany	Nurnberg	++49 (0)911 323 2600
Italy	Pordenone	++39 (0)1678 47053
Sweden	Stockholm	++46 (0)20 78 77 50
United Kingdom	Slough	++44 (0)1753 219 898

INSTALLATION INSTRUCTIONS



Technical information

DIMENSIONS

HEIGHT OF CANOPY:	270mm
HEIGHT OF CHIMNEY: (UPPER SECTION)	215mm
(LOWER SECTION)	530mm
WIDTH OF CANOPY: EFC 635	598mm
EFC 935	898mm
DEPTH OF CANOPY:	490mm

ELECTRICAL SUPPLY

VOLTAGE:	(~50Hz)	220-240V
POWER CONSUMPTION:		225W
FAN MOTOR:		145W
LAMPS:	(2 x40W)	80W

SUITABLE FOR - INSTALLATION ABOVE:

ELECTRIC HOB:	7KW (MAX)
GAS HOB:	10KW (MAX)
SLOT-IN ELECTRIC COOKER:	12.4KW (MAX)
SLOT-IN GAS COOKER:	13.5KW (MAX)



Note: CE Marking certifies that this appliance complies with the requirements laid down in EEC directive 89:336 (Electromagnetic compatibility) and subsequent modifications and Low Voltage directive 72/23/E.



THIS APPLIANCE MUST BE EARTHED

Electrical Requirements

Any permanent electrical installation must comply with the latest I.E.E. Regulations and local Electricity Board regulations. For your own safety this should be undertaken by a qualified electrician e.g. your local Electricity Board, or a contractor who is on the roll of the National Inspection Council for Electrical Installation Contracting (NICEIC).

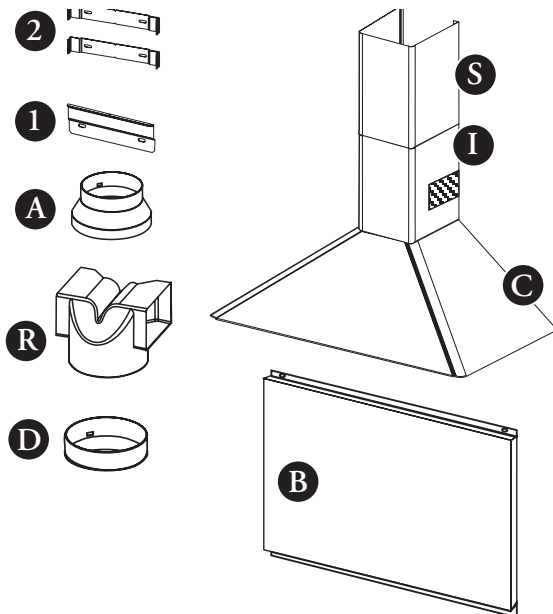
Electrical Connection

Before connecting to the mains supply ensure that the mains voltage corresponds to the voltage on the rating plate inside the cooker

This appliance is fitted with a 3 core mains cable and must be permanently connected to the electricity supply via a double-pole switch having 3mm minimum contact gap on each pole. A Switched Fuse Connection Unit to BS.1363 Part 4, fitted with a 3 Amp fuse, is a recommended mains supply connection accessory to ensure compliance with the Safety Requirements applicable to fixed wiring instructions.

This appliance conforms to BS.800:1988 and EEC Directive No. 78 308 regarding suppression of radio and television interference.

INSTALLING THE COOKER HOOD



(Optional Splashback B)

Please ensure that when the appliance is installed it is easily accessible to an engineer in the event of a breakdown.



All installations must comply with the local authorities requirements for the discharge of exhaust air.

Incorrect installation may affect the safety of this cooker hood.

Installation Requirements



Before installation check that the wall to which the cooker hood is to be fitted for electric cables, water pipes and gas.

This cooker hood is designed to be fixed to any vertical surface over a cooking area, and can be used in the extraction (ducted to the outside) or recirculation mode.

The installation work must be undertaken by a qualified and competent person.

The manufacturer disclaims any responsibility for damage due to incorrect installation of the cooker hood or if the hood is not installed in compliance with relevant regulations controlling this type of installation.

Unpacking

The cooker hood is supplied with the following components for installation:

- Ducting spigot 150 to 120mm (A)
- Canopy (C)
- Ducting Collar (D)
- Lower chimney stack 530mm (I)
- Recirculation spigot (R)
- Upper chimney stack 215mm (S)

Fixing kit comprising:

- Wall fixing brackets (1 and 2).
- Document pack.

Clearance Heights

The cooker hood is designed to be fitted over a cooking appliance at the clearance heights stated, providing the maximum output of the appliance beneath does not exceed the maximums quoted in the Technical Specifications.

If the output of the appliance below the cooker hood exceeds the maximum outputs quoted, please refer to the cooker manufacturer's installation instructions.

A minimum clearance height of 650mm (25 ins) is required when installed above a built-in electric hob, or 700mm (25 ins) when installed above a built-in gas hob.

A minimum clearance height of 685mm (27 ins) is required when installing above a slot-in electric cooker, or 787mm (30 ins) when installed above a slot-in cooker.

When installed between adjoining wall cabinets, the wall cabinets must not overhang the hob and the distance between the underside of the cabinet and the worktop must be 450mm (17 ins), a gap of 50mm (2 ins) must be maintained either side of the hob.



This cooker hood must not be installed above a cooking appliance with a high level grill.

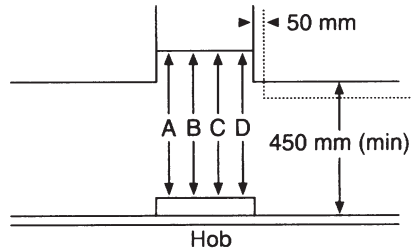


Fitting the Wall Brackets

1. Draw a vertical line on the wall, from the centre of the cooking appliance up to the ceiling, using a spirit level and marker pen. This is to ensure the correct vertical alignment of the appliance.
2. **Fixing the wall bracket No 1**
Draw two horizontal lines through the vertical at 225 and 265mm as illustrated. Place the top edge of the bracket against the 265mm line, aligning the centre of the bracket with the vertical line. The line at should run through the centre of the keyholes. If, the alignment is correct mark the centres for the key hole bracket fixing screws (not supplied) as illustrated in Fig. 3.

Ensure that the distance between the lowest point of the hood and the cooking appliance beneath meet the clearance requirements quoted above.

*Ensure the **lower bracket 1** is fitted with the flat top pointing away from the wall.*



A: Built-in Electric Hob:	650mm minimum clearance
B: Built-in Gas hob:	700mm minimum clearance
C: Slot-in Electric Cooker:	685mm minimum clearance
D: Slot-in Gas Cooker:	787mm minimum clearance

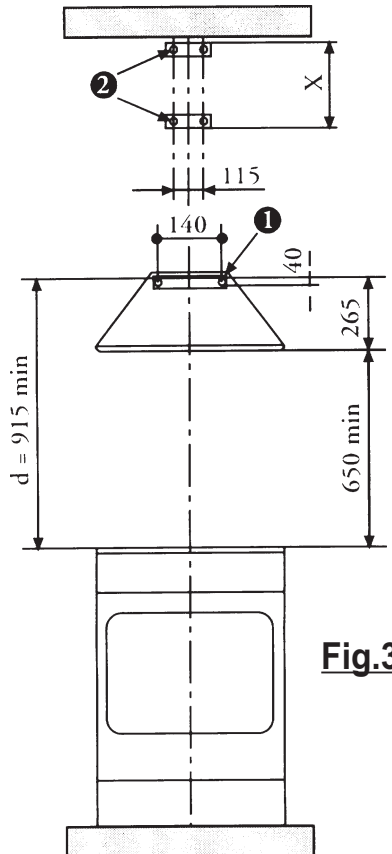


Fig.3

3. **Fixing the first wall bracket No 2**
 Draw a horizontal line through the vertical at 15mm from the ceiling as illustrated, or from a horizontal line drawn between the top of two adjoining wall cabinets. Place the top edge of the bracket against the line, aligning the centre of the bracket with the vertical line. If the alignment is correct mark the centres for the keyhole fixing screws (not supplied) as illustrated in Fig. 3.

4. **Fixing the second wall bracket No 2**
 Draw a horizontal line through the vertical at X. X is determined by the height of the upper chimney. Place the bottom edge of the bracket against the line, aligning the centre of the bracket with the vertical line. If the alignment is correct mark the centres for the keyhole fixing screws (not supplied) as illustrated in Fig. 4.

5. **Splashback (Optional)**
 When the splashback is to be fitted, the distance between the cooker hood and the cooking appliance will be determined by the height of the splashback B, as illustrated in Fig. 4.
 Position the splashback on the worktop, ensuring the worktop is level first, as illustrated in Fig. 4; then holding the splashback against the wall mark the position of the holes for the fixing screws.

The splashback must be fitted before installing the cooker hood.

If the splashback is to be fitted in conjunction with a slot-in cooker, or free standing appliance then it will be necessary to fix the splashback to the wall using both the top and bottom wall fixing screw holes.

Drill the holes for the fixing screws using an 8mm masonry drill and fix the wall brackets.

Note: If the hood is to be installed onto a hollow construction or plaster or partition board wall then special fixing screws will be required (not supplied).

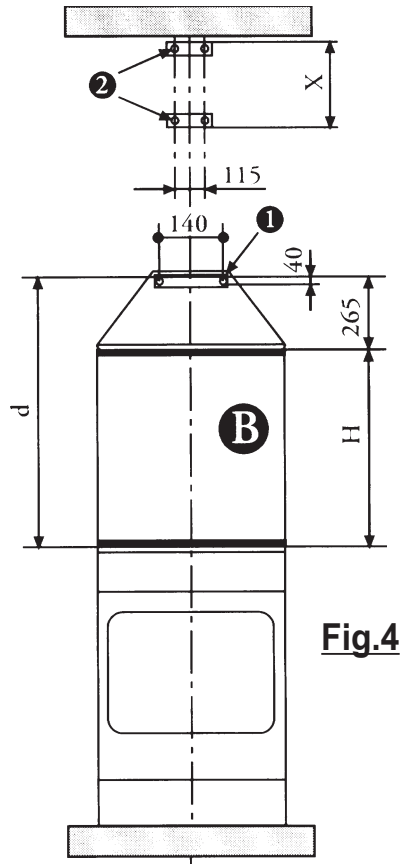
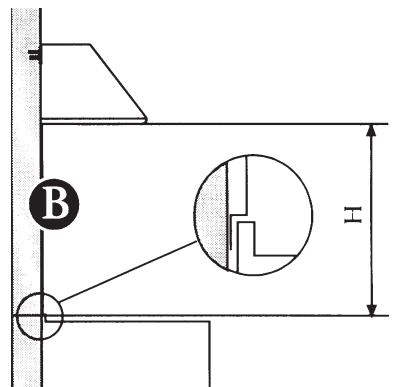


Fig.4





Fitting the Canopy Hood

1. Adjust the two screws V on the top of the canopy to about halfway as illustrated in Fig. 5.
2. Hook the canopy onto the wall bracket 1 and push down until the canopy adjusting screws V rest on the bracket, turn the screws to adjust the canopy vertically and level it horizontally as illustrated in Fig. 5.
4. Insert the screw V1 into the central hole to lock the canopy in to position as illustrated in Fig. 5.



Electrical connection and working test

Before fitting the chimney to the canopy make the electrical connection as described in the section titled "ELECTRICAL CONNECTION".

When the electrical connection has been made, test the three speed fan and worktop illumination.

Venting

The hood is more effective when used in the extraction mode (ducted to the outside). **Venting kits may be purchased through your retailer or DIY store, and must be ducted to an outside vent of 125mm (5").**



The ducting used must be manufactured from fire retardant material conforming to the relevant British Standard or DIN 4102-B1.

When the cooker hood is ducted to the outside the charcoal filters must be removed.

Recirculation

The cooker hood is supplied specified for use in the recirculation mode, with the charcoal filters fitted.

In the recirculation mode contaminated air is passed through the charcoal filters to be purified and recirculated into the kitchen through the grille outlets on either side of the chimney (I).

To fit the recirculation spigot (R), place the spigot over the outlet on top of the canopy and push down on the spigot until it snaps into position as illustrated in Fig. 6.

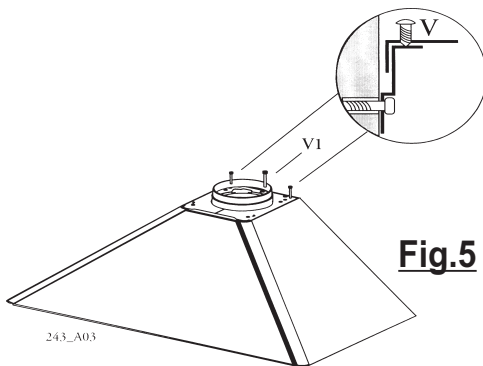


Fig.5

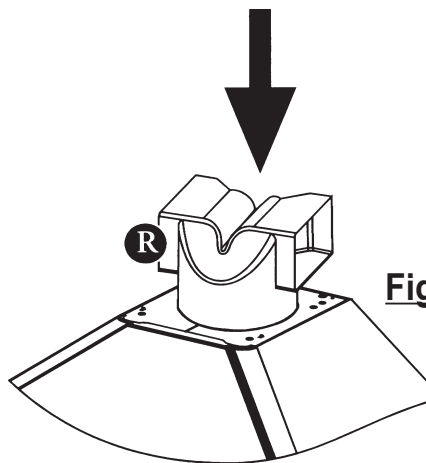


Fig.6

Extraction

The charcoal filters are not required in this mode and should be removed.

Ducting

The ducting used must be 150mm (6ins), or 125mm (5ins) in diameter.

If possible duct through the wall immediately above the canopy.

For the best performance use the shortest possible duct run and the minimum number of bends.

Where flexible ducting is fitted it should not be turned through very tight bends as this may impair the performance of the hood.

It is recommended a maximum length of 3 metres, to be installed, to be reduced by 1 metre for each 90° bend installed in the ducting run.

If the distance is greater than 3 metres the efficiency of the hood could be impaired.

The diameter of the spigot on top of the hood is 150mm (6ins). A ducting adapter from 150mm (6ins) to 120mm (5ins) is supplied together with a 120mm to 125mm ducting collar.



If the room where the cooker hood is to be used contains a fuel burning appliance such as a central heating boiler, then its flue must be of the room sealed or balanced flue type.

If other types of flue or appliances are fitted ensure that there is an adequate supply of air to the room.

The cooker ducting (extraction mode) must never be connected to central heating flues, radiators or water heaters etc.

Fitting the Chimney Stack

The chimney consists of two sections. The upper chimney measures 215mm and the lower chimney (with the holes for recirculation on either side) measures 530mm.

1. Fit the two plastic supports provided into the two holes on top of the canopy as illustrated in Fig. 7.
2. Fit the upper section (S) first. Expand the chimney slightly to allow it to be fitted over the brackets 2, and then secure the chimney stack to brackets using the four self tapping screws provided as illustrated in Fig. 7.
3. Fit the lower chimney section (I) by expanding the chimney slightly to allow it to be fitted over the brackets 1, and the upper chimney section and bracket 2 as illustrated in Fig. 7.
4. Secure the bottom of the chimney to the plastic supports using the self tapping screws provided as illustrated in Fig. 7.

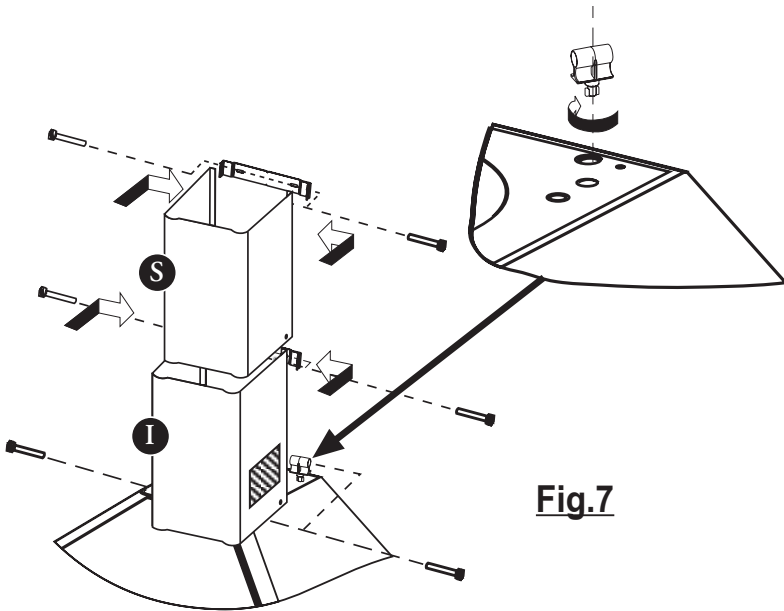


Fig.7

To contact your local Service Force Centre telephone 08705 929 929

<p style="text-align: center;">CHANNEL ISLANDS</p> <p>GUERNSEY Guernsey Electricity PO Box 4 Vale, Guernsey Channel Islands GY1 3AD</p> <p>JERSEY Jersey Electricity Company Haut De L'orme Rue De Haut De L'orme Trinity Jersey Channel Islands JE3 5FG</p>	<p>ISLE OF LEWIS ND Macleod 16 James Street Stornoway Isle of Lewis PA87 2QW</p> <p>KELSO 2, 6 & 8 Woodmarket Kelso Borders TD5 7AX</p> <p>ORKNEY 7 King Street Kirkwall Orkney KW15 1JF</p>	<p style="text-align: center;">NORTH EAST</p> <p>GATESHEAD Unit 356a Dukesway Court Dukeway Gateshead NE11 0BH</p> <p>GRIMSBY 15 Hainton Avenue Grimsby N. E. Lincs DN32 9AS</p> <p>HULL Unit 1 Boulevard Industrial Estate Hull HU3 4AY</p> <p>LEEDS 64-66 Cross Gates Road Cross Gates Leeds LS15 7YS</p> <p>NEWTON AYCLIFFE Unit 23 Northfield Way Aycliffe Industrial Park Newton Aycliffe DL5 6EJ</p> <p>SHEFFIELD Pennine House Roman Ridge Road Sheffield S9 1GB</p>
<p style="text-align: center;">SCOTLAND</p> <p>ABERDEEN 54 Claremont Street Aberdeen AB10 6RA</p> <p>AUCHTERMUCHTY 33a Burnside Auchtermuchty Fife KY14 7AJ</p> <p>BLANTYRE Unit 5 Block 2 Auchenraith Ind. Estate Rosendale Way Blantyre G72 0NJ</p> <p>DUMFRIES 93 Irish Street Dumfries DG1 2 PQ</p> <p>DUNOON 7 Hill Street Dunoon Argyll PA23 7AL</p> <p>EDINBURGH Unit 12 Dumbyden Ind. Estate 2 Dumbyden Road Edinburgh EH14 2AB</p> <p>GLASGOW Unit 4 Wellington Road Bishopriggs Glasgow G64 2SA</p> <p>INVERNESS Unit 3BI Smithton Ind. Estate Smithton Inverness IV2 7WL</p> <p>ISLE OF ARRAN Arran Domestics The Douglas Centre Broddick Isle of Arran KA27 8AJ</p> <p>ISLE OF BARRA J Zerfah 244 Bruernish Isle of Barra Western Islands HS9 5QY</p> <p>ISLES OF BUTE Walker Engineering Glenmhor Upper Serpentine Road Rothesay Isle of Bute PA20 9EH</p>	<p>PERTH Scottish Hydro Electric Central Warehouse Inveralmond Perth PH1 3AF</p> <p>(OWN SALES)</p> <p>SHETLAND 3-4 Carlton Place Lerwick Shetland ZE1 0PW</p> <p>(OWN SALES)</p> <p>SHETLAND Bolts Shetland 26 North Road Lerwick Shetland ZE1 0PE</p> <p>(OWN SALES)</p> <p>WHALSAY Leask Electrical Harisdale Symbister, Whalsay Shetland ZE2 9AA</p> <p>(OWN SALES)</p>	<p style="text-align: center;">NORTH WEST</p> <p>BIRKENHEAD 1 Kelvin Park Dock Road Birkenhead CH41 1LT</p> <p>CARLISLE Unit 7 James Street Workshops James Street Carlisle Cumbria CA2 5AH</p> <p>ISLE OF MAN South Quay Ind. Estate Douglas Isle of Man IM1 5AT</p> <p>BOLTON Unit B Central Industrial Estate St Marks Street Bolton BL3 6NR</p> <p>PRESTON Unit 250 Dawson Place Bamber Bridge Preston Lancashire PR5 8AL</p> <p>STOCKPORT Unit 20 Haigh Park Haigh Avenue Stockport SK4 1QR</p>
	<p style="text-align: center;">NORTHERN IRELAND</p> <p>BELFAST Owenmore House Kilwee Business Park Dunmurry Belfast BT17 0HD</p>	
	<p style="text-align: center;">WALES</p> <p>CARDIFF Unit 4 Guardian Industrial Estate Clydesmuir Road Cardiff CF2 2QS</p> <p>CLYWD Unit 6-7 Coed Parc Abergele Road Rhuddlan Clwyd LL18 5UG</p> <p>DYFED Unit 9 St. Clears Business Park Tenby Road St. Clears Carmarthen SA33 4JW</p> <p>OSWESTRY Plas Ffynnon Warehouse Middleton Road Oswestry SY11 2PP</p>	

To contact your local Service Centre telephone 08705 929 929

MIDLANDS		LONDON & EAST ANGLIA		SOUTH EAST	
BIRMINGHAM	66 Birch Road East Wryley Trading Estate Witton Birmingham B6 7DB	BECKENHAM	11a Gardner Ind. Estate Kent House Lane Beckenham Kent BR3 1QZ	ASHFORD	Unit 2 Bridge Road Business Cent Bridge Road Ashford Kent TN23 1BB
BOURNE	Pinfold Road Bourne PE10 9HT	CHELMSFORD	Hanbury Road Widford Ind. Estate Chelmsford Essex CM12 3AE	FLEET	Unit 1 Redfields Ind. Estate Church Crookham Fleet Hampshire GU13 0RD
BRIDGNORTH	68 St. Mary's Street Bridgnorth Shropshire WV16 4DR	COLINDALE	Unit 14 Capitol Park Capitol Way Colindale London NW9 0EQ	HAYWARDS HEATH	21-25 Bridge Road Haywards Heath Sussex RH16 1UA
GLOUCESTER	101 Rycroft Street Gloucester GL1 4NB	ELTHAM	194 Court Road Mottingham Eltham London SE9 4EW	TONBRIDGE	Unit 30 Deacon Trading Estate Morley Road Tonbridge TN9 1RA
HEREFORD	Units 3 & 4 Bank Buildings Cattle market Hereford HE4 9HX	ENFIELD	284 Alma Road Enfield London EN3 7BB		
HIGHAM FERRERS	30 High Street Higham Ferrers Northants NN10 8PL	GRAVESEND	Unit B4 Imperial Business Estate West Mill Gravesend Kent DA11 0DL	SOUTH WEST	
ILKESTON	Unit 2 Furnace Road Ilkeston DE7 5EP	IPSWICH	Unit 6C Elton Park Business Centre Hadleigh Road Ipswich IP2 0DD	BARNSTAPLE	Main Road Fremington Barnstaple North Devon EX31 2NT
LEICESTER	Unit 7 Oaks Industrial Estate Coventry Road Narborough Leicestershire LE9 5GF	LETCHWORTH	16-17 Woodside Ind. Park Works Road Letchworth Herts SG6 1LA	BOURNEMOUTH	63-65 Curzon Road Bournemouth Dorset BH1 4PW
LINCOLN	Unit 8 Clifton Street Stone Field Park Lincoln LN5 8LQ	LONDON	2 - 4 Royal Lane Yiewsley West Drayton Middlesex UB7 8DL	BRIDGEWATER	6 Herswell Business Park Salmon Parade Bridgwater Somerset TA6 5PY
NEWCASTLE UNDER LYME	18-21 Croft Road Brampton Ind. Estate Newcastle under Lyme Staffordshire ST5 0TW	MAIDENHEAD	Reform Road Maidenhead Berkshire SL6 8BY	BRISTOL	11 Eldon Way Eldonwall Trading Estate Bristol BS4 3QQ
REDDITCH	13 Thornhill Road North Moons Moat Redditch Worcestershire B98 9ND	MOLESEY	10 Island Farm Avenue West Molesey Surrey KT8 2UZ	EMSWORTH	266 Main Road Southbourne Emsworth PO10 8JL
TAMWORTH	Unit 3 Sterling Park Claymore Tamworth B77 5DQ	NEWBURY	9 Pipers Court Berkshire Drive Thatcham Berkshire RG19 4ER	ISLE OF WIGHT	Unit 8 Enterprise Court Ryde Business Park Ryde Isle of Wight PO33 1DB
WORCESTER	Units 1 & 2 Northbrooks Close Gregorys Mill Ind. Estate Worcester WR3 8BP	NORWICH	2b Trafalgar Street Norwich NR1 3HN	NEWTON ABBOT	Unit 2 Zealley Ind. Estate Kingsteignton Newton Abbot TQ12 3TD
		SUNBURY	Unit 1a The Summit Hanworth Road Sunbury on Thames TW16 5DB	REDRUTH	Unit 7D Pool Ind. Estate Druids Road Redruth Cornwall TR15 3RH



55 - 77 High Street - Slough
BERKSHIRE SL1 1DZ

© Electrolux Household Appliances Limited 2001